

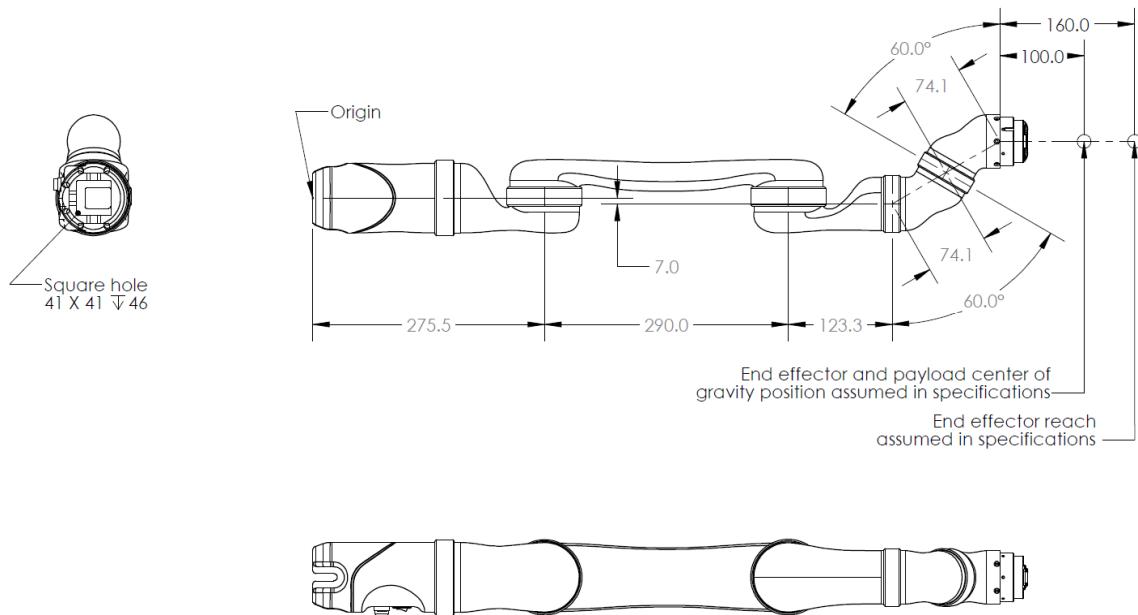
MICO² + KG-2

6 DOF

Technical specifications



MICO² 6 DOF no gripper



GENERAL

| | |
|--|---|
| TOTAL WEIGHT | 5.2 Kg |
| MATERIALS | Reinforced plastic (links), Aluminum (actuators) |
| PAYLOAD | 1.3 Kg (mid-range continuous payload capabilities) 0.8 Kg (full-reach peak/temporary payload capabilities) |
| MAXIMUM REACH | 70 cm |
| JOINT RANGE AFTER START-UP (SOFTWARE LIMITATION) | ±27.7 turns |
| MAXIMUM LINEAR ARM SPEED | 20 cm/s |
| POWER SUPPLY VOLTAGE | 18 to 29 VDC |
| AVERAGE POWER | 25 W (5W in STANDBY) |
| PEAK POWER | 100 W |
| COMMUNICATION PROTOCOL | RS485 |
| COMMUNICATION CABLES | 20 pins flat flex cable |
| 2 EXPANSION PINS ON COMMUNICATION BUS | |
| WATER RESISTANCE | IPX2 |
| OPERATING TEMPERATURE | -10 °C to 40 °C expected |

CONTROLLER

PORTS

Joystick

Power supply

USB 2.0 (API)

Ethernet

1 Mbps CANBUS

18 to 29 VDC

12 Mbps

Not Available

CONTROL SYSTEM FREQUENCY

100 Hz (High Level API)

500 Hz (Low Level API)

CPU

360 MHz

SDK

APIs

High and low level

Compatibility

Windows, Linux Ubuntu & ROS

Port

USB 2.0

Programming languages

C++

FORCE, CARTESIAN & ANGULAR CONTROL

DETAILED SPECIFICATIONS

ACTUATORS #1, #2 & #3

K-75

ACTUATORS #4, #5 & #6

K-58



6110 Doris-Lussier
Boisbriand, QC, Canada
J7H 0E8

Kinovarobotics.com